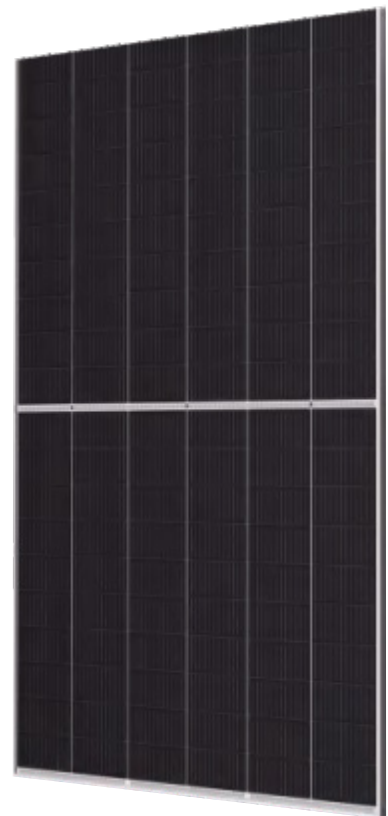


620-640W Mono

120 Half-Cell Layout

G12/210mm N-TYPE Cell



N-TYPE TOP CON Cell Technology



SMBB Half Cut Cell Technology



Bifacial Cell Module Technologies



Excellent Anti-PID Low LID Performance



Less Hot Spot Shading Effects



Higher Power Output Lower BOS & LCOE

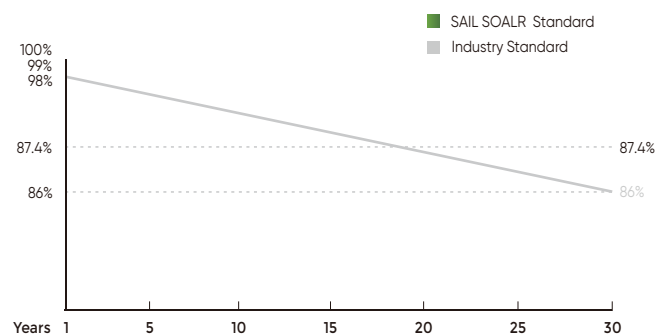
- ISO9001:2015QMS
- ISO14001:2015 EMS
- ISO45001:2018 OHSMS
- IEC61215/IEC61730 Standard Quality
- IEC61701/IEC62716 Salt/Mist/Ammonia Tests



30
years
POWER WARRANTY

15
years
PRODUCT WARRANTY

Linear Performance Warranty



SAIL SOLAR Mono | 620-640W

ELECTRICAL PARAMETERS

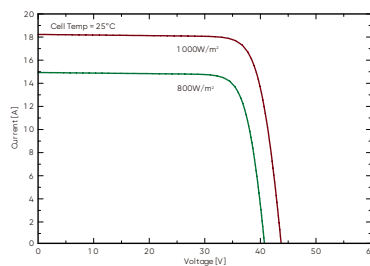
POWER CLASS	SAS620N-120G12	SAS625-120G12	SAS630-120G12	SAS635N-120G12	SAS640N-120G12
	STC	STC	STC	STC	STC
Maximum power (Pmax)	620W	625W	630W	635W	640W
Open Circuit Voltage (Voc)	43.77V	43.93V	44.09V	44.24V	44.40V
Short Circuit Current (Isc)	18.15A	18.21A	18.27A	18.33A	18.39A
Voltage at Maximum power (Vmp)	36.26V	36.42V	36.59V	36.75V	36.91V
Current Maximum Power (Imp)	17.10A	17.16A	17.22A	17.28A	17.34A
MODULE EFFICIENCY (%)	21.91%	22.08%	22.26%	22.44%	22.61%

STC: Irradiance 1000W/m², cell temperature 25°C, AM1.5G

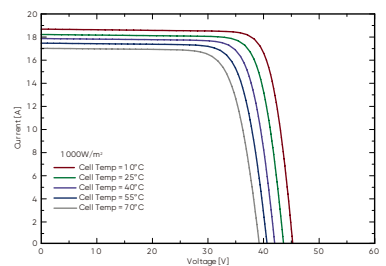
PACKING CONFIGURATION

Container	40'HQ
Pieces per pallet	32
Pallets per container	18
Pieces per container	576

I-V CURVE

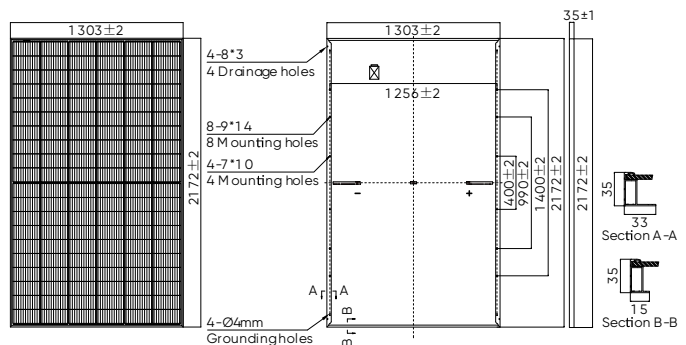


SAS 625N-120G12/I-V



MECHANICAL CHARACTERISTICS

Solar Cells	N-type Mono
No. of Cells	120 (6x20)
Dimensions	2172 x 1303 x 35mm
Weight	31.0kg
Front Glass	3.2mm coated tempered glass
Frame	Anodized aluminium alloy (reinforced high-load optional)
Junction Box	Ip68 rated (3 by pass diodes)
	4.0mm ²
Output Cables	250mm (+) / 350mm (-)
	Length can be customized
Connectors	Mc4 compatible
Mechanical load test	Front 5400Pa / Rear 2400Pa



OPERATING CHARACTERISTICS

Operating Module Temperature	-40°C to +85°C
Maximum System Voltage	1500 DC (IEC)
Maximum Series Fuse Rating	30A
Power Tolerance	0/+5W

TEMPERATURE CHARACTERISTICS

Nominal Operating Temperature (NMOT)	45±2°C
Temperature Coefficient of Pmax	-0.29%/°C
Temperature Coefficient of Pmax	-0.25%/°C
Temperature Coefficient of Pmax	+0.045%/°C