

# 590-610W Mono

## 144 Half-Cell Layout BIFACIAL DG

### M10 N-TYPE Cell



N-TYPE TOP CON Cell Technology



SMBB Half Cut Cell Technology



Bifacial Cell Module Technologies



Excellent Anti-PID Low LID Performance



Less Hot Spot Shading Effects



Higher Power Output Lower BOS & LCOE

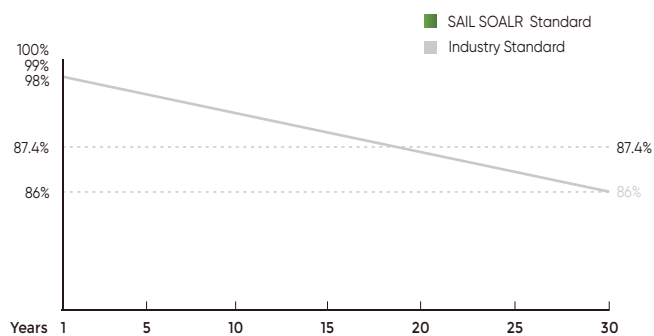
- ISO9001:2015QMS
- ISO14001:2015 EMS
- ISO45001:2018 OHSMS
- IEC61215/IEC61730 Standard Quality
- IEC61701/IEC62716 Salt/Mist/Ammonia Tests



**30**  
years  
POWER WARRANTY

**15**  
years  
PRODUCT WARRANTY

### Linear Performance Warranty



# SAIL SOLAR Mono I 590-610W BIFACIAL DG

## ELECTRICAL PARAMETERS

POWER CLASS	SAS590N-144M10	SAS595N-144M10	SAS600N-144M10	SAS605N-144M10	SAS610N-144M10
	STC	STC	STC	STC	STC
Maximum power (Pmax)	590W	595W	600W	605W	610W
Open Circuit Voltage (Voc)	51.94V	52.07V	52.20V	52.33V	52.47V
Short Circuit Current (Isc)	14.43A	14.50A	14.57A	14.64A	14.71A
Voltage at Maximum power (Vmpp)	43.00V	43.14V	43.28V	43.42V	43.56V
Current Maximum Power (Impp)	13.72A	13.79A	13.86A	13.93A	14.00A
MODULE EFFICIENCY (%)	22.84%	23.03%	23.22%	23.41%	23.60%

STC: Irradiance 1000W/m<sup>2</sup>, cell temperature 25°C, AM1.5G

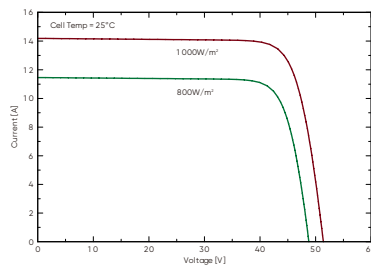
## BIFACIAL OUTPUT -REAR SIDE POWER GAIN

5%	Maximum power (Pmax)	620W	624W	630W	635W	640W
15%	Maximum power (Pmax)	679W	684W	690W	695W	701W
25%	Maximum Power (Pmax)	738W	743W	750W	756W	762W

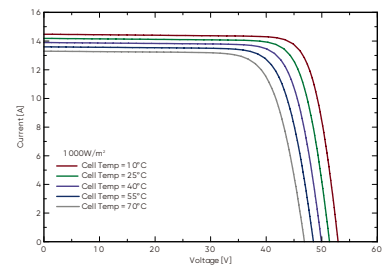
## PACKING CONFIGURATION

Container	20'GP	40'HQ
Pieces per pallet	36	36
Pallets per container	5	20
Pieces per container	180	720

## I-V CURVE

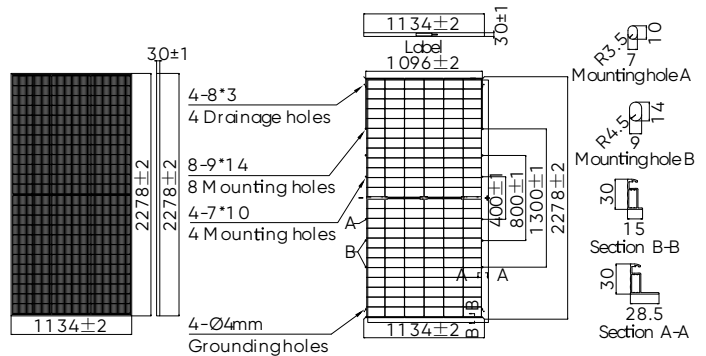


## SAS590N-144M10/I-V



## MECHANICAL CHARACTERISTICS

Solar Cells	N-type Mono
No. of Cells	144 (6x24)
Dimensions	2278 x 1134 x 30mm
Weight	31.5kg
Front Glass	2.0mm coated tempered glass
Frame	Anodized aluminium alloy (reinforced high-load optional)
Junction Box	Ip68 rated (3 by pass diodes)
	4.0mm <sup>2</sup>
Output Cables	250mm (+) / 350mm (-)
	Length can be customized
Connectors	Mc4 compatible
Mechanical load test	Front 5400Pa / Rear 2400Pa



## OPERATING CHARACTERISTICS

Operating Module Temperature	-40°C to +85°C
Maximum System Voltage	1500 DC (IEC)
Maximum Series Fuse Rating	30A
Power Tolerance	0/+5W

## TEMPERATURE CHARACTERISTICS

Nominal Operating Temperature (NMOT)	45±2°C
Temperature Coefficient of Pmax	-0.29%/°C
Temperature Coefficient of Pmax	-0.25%/°C
Temperature Coefficient of Pmax	+0.045%/°C

